

DynaMc™ 28 Fusion Machines

Fusion Capability for 2" IPS to 8" DIPS (63mm - 225mm)

Machine Type	Model No.	Cylinder Force	Input Voltage Requirements	Minimum Power Requirements *	Plug Type **
--------------	-----------	----------------	----------------------------	------------------------------	--------------

DynaMc 28 HP

Includes fusion carriage, facer, facer stand, heater and insulated heater stand.



2-Jaw DynaMc HP Pictured

2 Jaw	A881701	Low	100V-120V, 50/60Hz, 1Ph	3KVA, 2.9KW	A
	A881702	Low	220V-240V, 50/60Hz, 1Ph	3KVA, 2.9KW	C
4 Jaw	A881401	Low	100V-120V, 50/60Hz, 1Ph	3KVA, 2.9KW	A
	A881402	Low	220V-240V, 50/60Hz, 1Ph	3KVA, 2.9KW	C

Machine Type	Model No.	Cylinder Force	Facer Voltage Requirements	Heater Voltage Reqs.	Min. Power Reqs. *	Plug Type **
--------------	-----------	----------------	----------------------------	----------------------	--------------------	--------------

DynaMc 28 EP

Includes fusion carriage, facer, facer stand, heater and insulated heater stand. Electric Pump is sold separately.



4-Jaw DynaMc EP Pictured

2 Jaw	A900201	Low	100V-120V, 50/60Hz, 1Ph	100V-120V, 50/60Hz, 1Ph	3KVA, 2.9KW	A/A
	A900203	Low	100V-120V, 50/60Hz, 1Ph	220V-240V, 50-60Hz, 1Ph	3KVA, 2.9KW	A/C
	A900202	Low	220V-240V, 50/60Hz, 1Ph	100V-120V, 50/60Hz, 1Ph	3KVA, 2.9KW	C/A
	A900204	Low	220V-240V, 50/60Hz, 1Ph	220V-240V, 50-60Hz, 1Ph	3KVA, 2.9KW	C/C
4 Jaw	A900101	Low	100V-120V, 50/60Hz, 1Ph	100V-120V, 50/60Hz, 1Ph	3KVA, 2.9KW	A/A
	A900103	Low	100V-120V, 50/60Hz, 1Ph	220V-240V, 50-60Hz, 1Ph	3KVA, 2.9KW	A/C
	A900102	Low	220V-240V, 50/60Hz, 1Ph	100V-120V, 50/60Hz, 1Ph	3KVA, 2.9KW	C/A
	A900104	Low	220V-240V, 50/60Hz, 1Ph	220V-240V, 50-60Hz, 1Ph	3KVA, 2.9KW	C/C



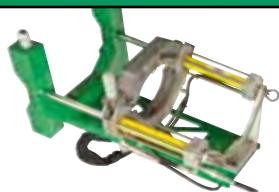
Machine Type	Model No.	Input Voltage Requirements	Minimum Power Requirements *	Plug Type **
--------------	-----------	----------------------------	------------------------------	--------------

Electric Pump (HPU)	1272701	120V, 60Hz, 1Ph	1.56KVA, 1.25KW	A
	1272702	208V-240V, 60Hz, 1Ph	1.56KVA, 1.25KW	C
	1272703	220V-240V, 50/60Hz, 1Ph	1.65KVA, 1.24KW	M
	1272704	100V, 50/60Hz, 1Ph	1.65KVA, 1.24KW	B

Machine Type	Model No.
--------------	-----------

DynaMc 28 Sidewall

Includes fusion carriage. See page 125 for accessories. Heater and Electric Pump is sold separately.



1 Jaw/tailstock	898101
-----------------	--------

* This is the minimum generator requirement at sea level, see your generator supplier or refer to the generator sizing form on page 145.

** Refer to the plug type reference chart on page 139 for your correct plug type.

Compact Vertical

McElroy developed the 28 Vertical Fusion Machine to specifically address the challenge of performing vertical fusions.

- Use in conjunction with the Electric Pump HPU
- Counterbalanced, pivoting heater
- Pivoting electric facer
- Capable of horizontal fusions
- Accounts for negative drag
- Incorporated wheels and lifting eyes for easier transportation



Machine Type	Model No.	Cylinder Force	Input Voltage Requirements	Minimum Power Requirements *	Plug Type **
--------------	-----------	----------------	----------------------------	------------------------------	--------------

DynaMc Vertical Compact 28 EP

Includes fusion carriage, facer, facer stand, heater and insulated heater stand. Electric Pump is sold separately.

3 Jaw	A893001	Low	100V-120V, 50/60Hz, 1Ph	3KVA, 2.9KW	A
-------	---------	-----	-------------------------	-------------	---

Machine Type	Model No.	Input Voltage Requirements	Minimum Power Requirements *	Plug Type **
--------------	-----------	----------------------------	------------------------------	--------------

Electric Pump (HPU)	1272701	120V, 60Hz, 1Ph	1.56KVA, 1.25KW	A
	1272702	208V-240V, 60Hz, 1Ph	1.56KVA, 1.25KW	C
	1272703	220V-240V, 50/60Hz, 1Ph	1.65KVA, 1.24KW	M
	1272704	100V, 50/60Hz, 1Ph	1.65KVA, 1.24KW	B

* This is the minimum generator requirement at sea level, see your generator supplier or refer to the generator sizing form on page 145.

** Refer to the plug type reference chart on page 139 for your correct plug type.



VISIT OUR AWARD-WINNING WEBSITE
All the fusion information you need is just a click away.

McELROY PROVEN PERFORMANCE, SUPERIOR SERVICE

Part No.	Description
Spare Facer Blade Set - Includes 4 blades, screws and wrench	
T1208602	Standard blades.
T1208602C	Extended-life blades.

28 Spare Heater Plate Kit	
A848706	Set of 2 plates with anti-stick coating required for butt fusion. Kit includes attaching screws and wrench.

250 Spare Heater Plate Kit	
AT2501101	Set of 2 plates with anti-stick coating required for butt fusion. Kit includes attaching screws and wrench.

Spare 28 Heater 100-120V, 50-60Hz, 1Ph	
848709	Microprocessor-controlled with dial thermometer to monitor temperature. Includes heater plates insulated heater stand and stripper bars.

Spare 28 Heater 220-240V, 50-60Hz, 1Ph	
848803	Microprocessor controlled with dial thermometer to monitor temperature. Includes heater plates insulated heater stand and stripper bars.

Spare 250 Heater 220-240, 50/60Hz, 1Ph	
T2501002	Microprocessor controlled with dial thermometer to monitor temperature. Includes heater plates insulated heater stand and stripper bars.

Low Profile Rollers - To learn more, see page 104 NEW!	
A1867501	Aids by reducing the drag on the pipe and protecting the pipe from damage. Case includes 40 complete roller assemblies.

Part No.	Description
DataLogger® - To learn more, see page 108	
Used to record and document fusion process parameters.	
DL6303	Wireless DataLogger
DL6304	Wired DataLogger NEW!

Stub End Holder - To learn more, see page 114 NEW!	
885001	Self-centering stub end holder to hold stub end for butt fusion.

Pyrometer Kit	
A218804	Accurately checks surface temperatures of heater.

Toolbox with Tray NEW!	
SW16001	For organizing your inserts and adapters for safe keeping.

Spare Facer Stand	
T801101	Facer stand provides a convenient place to protect and store your facer out of the dirt and mud.

Heat Shield	
203006	For fusing two materials with different melt rates. Shields the faster melt rate materials from over melting.

Auto-Only Accessories

Spare DynaMc Auto Power Box Assembly	
Spare Auto power unit for use with DynaMc 250 and 412 Auto.	
1267301	110V-120V
1269401	220V-240V

Spare DynaMc Auto Operator Control Box	
1266701	Spare Control Box for use with DynaMc Auto 250 and 412.

Spare DynaMc 250 Auto 120V Heater Assembly	
889201	Spare heater for the DynaMc 250 Auto.

Spare DynaMc 250 Auto 240V Heater Assembly	
889101	Spare heater for the DynaMc 250 Auto.

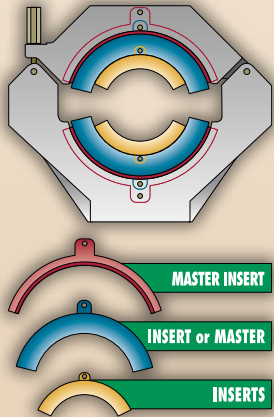
DynaMc™ 28/250 Butt Fusion & Mitered Inserts

Butt Fusion Inserts

Our cast inserts have been surface-hardened for longer life. All inserts are serrated for maximum grip on the pipe. Inserts are made for one size pipe only. Not all inserts fit directly in the jaws. Some inserts nest inside other inserts, called master inserts.

NOTE: Other sizes of inserts are available upon request. Contact your McElroy representative about inserts to fit your needs.

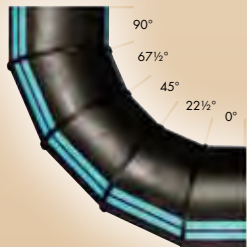
For JIS insert sizes, see page 126.



Mitered Inserts

Mitered inserts are used to fabricate segmented ells. Our standard miter is 11¼°, other mitered angles are available upon request.

Standard Ell Configuration
90° Ell 11¼° miter shown



Butt Fusion Insert Sets 2-jaw set = 4 inserts, 4-jaw set = 8 inserts

All inserts below fit in 9.84" (250mm) jaws

Inserts	Pipe OD	2 Jaw Set	4 Jaw Set
225mm/250mm	8.86 (225mm)	T2503517	T2503507
8" IPS/250mm <i>Master</i>	8.63 (219mm)	T2503516	T2503504

All inserts below fit in 8" DIPS 9.05" (230mm) jaws

225mm	8.86 (225mm)	851208	851201
8" IPS/DIPS <i>Master</i>	8.63 (219mm)	Inc w/pkg	Inc w/pkg

All inserts below require 8" IPS/DIPS or 8" IPS/250mm Masters

200mm	7.87 (200mm)	801548	801511
7.125"/180mm OD	7.13 (181mm)	801549	801513
6" DIPS	6.90 (175mm)	801550	801525
6" IPS <i>Master</i>	6.63 (168mm)	801547	801510
160mm	6.30 (160mm)	8078148	807813

All inserts below require 6" IPS & 8" IPS/DIPS or 6" IPS & 8" IPS/250mm Masters

5" IPS	5.56 (142mm)	809435	809409
140mm	5.51 (140mm)	809439	809428
5.375" OD	5.38 (137mm)	809437	809411
5.25" OD	5.25 (133mm)	809436	809410
125mm	4.92 (125mm)	809438	809413
4" DIPS	4.80 (122mm)	809327	809315
4" IPS/100mm JIS	4.50 (114mm)	809434	809408
110mm	4.33 (110mm)	809324	809305
3" DIPS	3.96 (101mm)	809326	809313
90mm	3.54 (90mm)	809325	809309
3" IPS	3.50 (89mm)	809323	809304
75mm	2.95 (75mm)	809217	809211
63mm	2.48 (63mm)	809216	809209
2" IPS	2.38 (60mm)	809215	809204

11¼° Mitered Inserts Set = 4 Inserts & 1 Template

All inserts below fit in 9.84" (250mm) jaws

Inserts	Pipe OD	Set No.
225mm/250mm x 11-1/4	8.86 (225mm)	T2503510
200mm/250mm x 11-1/4	7.87 (200mm)	T2503513
8" IPS/250mm <i>Master</i>	8.63 (219mm)	T2503504

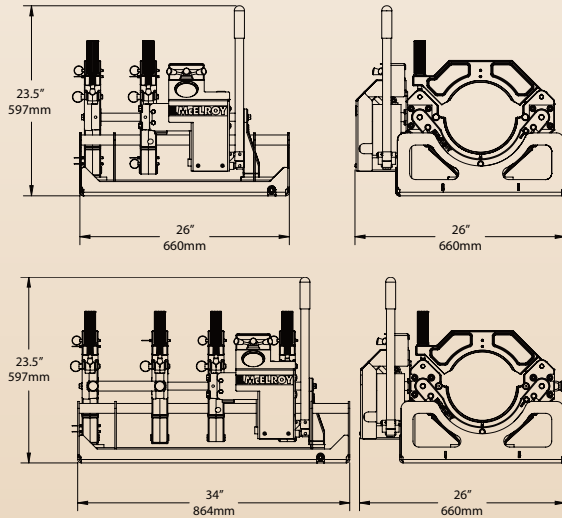
All inserts below fit in 9.05" (230mm) jaws

8" IPS/DIPS <i>Master</i>	8.63 (219mm)	Inc w/pkg
---------------------------	--------------	-----------

All inserts below require 8" IPS/DIPS or 8" IPS/250mm Masters

180mm x 11-1/4	7.13 (180mm)	8078111
6" DIPS x 11-1/4	6.90 (175mm)	8078108
6" IPS x 11-1/4	6.63 (168mm)	807810
160mm x 11-1/4	6.30 (160mm)	807817
5" IPS x 11-1/4	5.56 (142mm)	807809
140mm x 11-1/4	5.51 (140mm)	8078135
125mm x 11-1/4	4.92 (125mm)	807896
4" DIPS x 11-1/4	4.80 (122mm)	807899
4" IPS x 11-1/4	4.50 (114mm)	807808
110mm x 11-1/4	4.33 (110mm)	807893
90mm x 11-1/4	3.54 (90mm)	811301

DynaMc 28/250 HP



CAPACITY

28 Fuses Pipe Sizes: 2"IPS – 8"DIPS (63mm – 225mm)
 250 Fuses Pipe Sizes: 63mm – 250mm (2"IPS – 8"DIPS)

WEIGHT

2 Jaw Machine: 108 lbs (49Kg)
 4 Jaw Machine: 155 lbs (70Kg)
 Facer: 39 lbs (17.7Kg)
 Heater: 21 lbs (9.5Kg)

HYDRAULICS

System Pressure: 1500 PSI (103 BAR) Max.

POWER

28 Heater Power: 1750 Watt
 250 Heater Power: 3000 Watt
 28/250 Facer Power: 1.6 HP, 10 Amp @ 120V / 5 Amp @ 240V

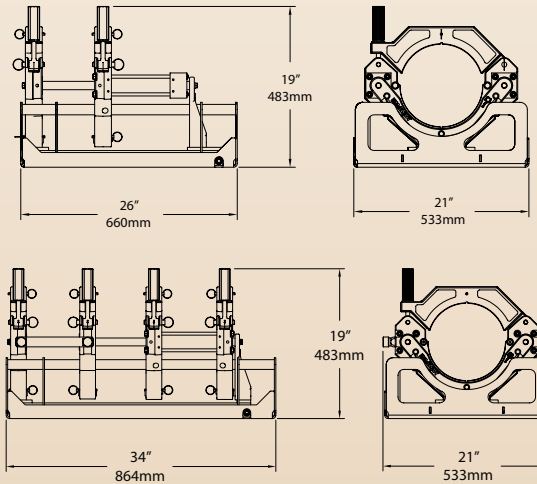
CHASSIS

Frame: Welded aluminum construction

WARRANTY

Term: 3 Years, see page 5 for details

DynaMc 28/250 EP



CAPACITY

28 Fuses Pipe Sizes: 2"IPS – 8"DIPS (63mm – 225mm)
 250 Fuses Pipe Sizes: 63mm – 250mm (2"IPS – 8"DIPS)

WEIGHT

2 Jaw Machine: 78 lbs (36Kg)
 4 Jaw Machine: 125 lbs (57Kg)
 Facer: 39 lbs (17.7Kg)
 Heater: 21 lbs (9.5Kg)

POWER

28 Heater Power: 1750 Watt
 250 Heater Power: 3000 Watt
 28/250 Facer Power: 1.6 HP, 10 Amp @ 120V / 5 Amp @ 240V

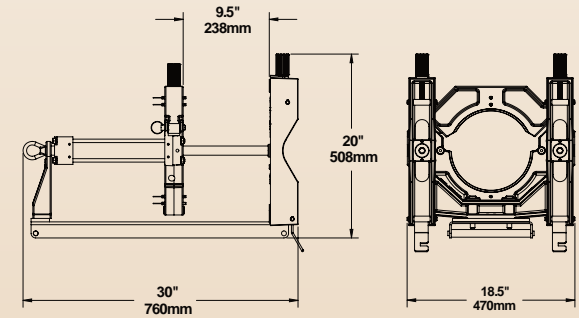
CHASSIS

Frame: Welded aluminum construction

WARRANTY

Term: 3 Years, see page 5 for details

DynaMc 28 EP Sidewall



SADDLE FUSION CAPACITY

Max Fitting Base Diameter: 9.63" (245mm)

WEIGHT

Machine: 88 lbs (40Kg)

CHASSIS

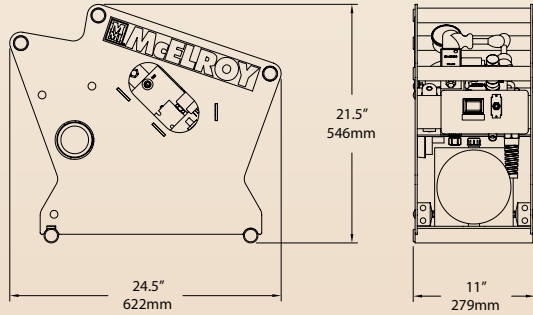
Frame: Welded aluminum construction

WARRANTY

Term: 3 Years, see page 5 for details

DynaMc™ 28/250 Specifications

DynaMc EP HPU



WEIGHT

Machine: 110 lbs (50Kg)

HYDRAULICS

System Pressure: 1500PSI (103 BAR) Max.

POWER

Power: 2.2 HP, 14 Amp @ 120V / 7 Amp @ 240V

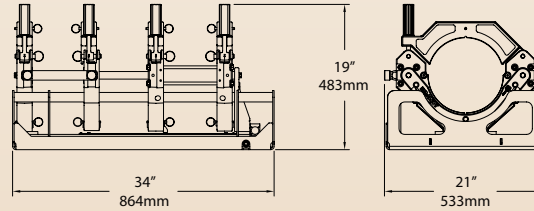
CHASSIS

Frame: Welded aluminum construction

WARRANTY

Term: 3 Years, see page 5 for details

DynaMc 250 Auto



CAPACITY

Fuses Pipe Sizes: 63mm – 250mm (2"IPS – 8"DIPS)

WEIGHT

Carriage: 54 Kg (119 lbs)

Facer: 21.3 Kg (47 lbs)

Heater: 19.5 Kg (43 lbs)

POWER

Heater Power: 3000 Watt

Facer Power: Hydraulic

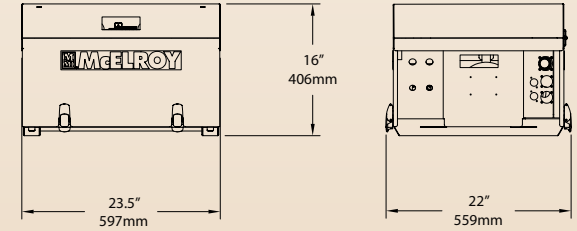
CHASSIS

Frame: Welded aluminum construction

WARRANTY

Term: 3 Years, see page 5 for details

DynaMc Auto HPU



WEIGHT

Machine: 53.5Kg (118 lbs)

HYDRAULICS

System Pressure: 83 BAR (1200 PSI) Max.

POWER

Power: 4.0 HP, 28 Amp @ 110V / 14 Amp @ 220V

CHASSIS

Frame: Welded aluminum construction

WARRANTY

Term: 3 Years, see page 5 for details

